



# MaxBW08-Series

Full Servo Robot  
IMM RANGE 320 – 650 Ton

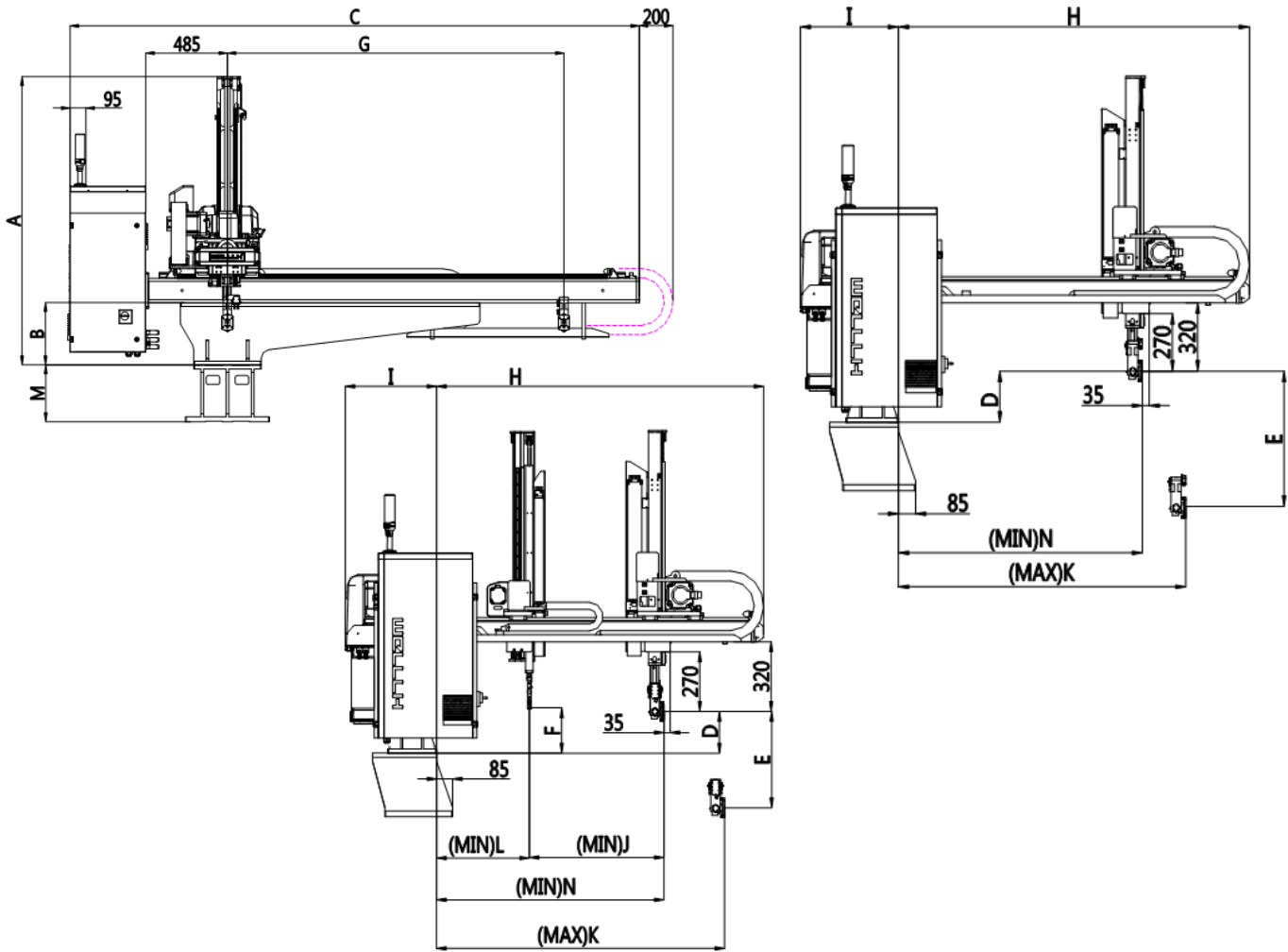


| MaxBW08-1300P               | Standard     |                                |  | Metric                         |                    |
|-----------------------------|--------------|--------------------------------|--|--------------------------------|--------------------|
| <b>Movement</b>             | Drive Type   | Servo Telescoping Vertical Arm |  | Servo Telescoping Vertical Arm | Drive Type         |
| <b>IMM Range</b>            | US Tons      | 320 - 650                      |  | 2847 - 5783                    | kN                 |
| <b>Vertical Stroke</b>      | in           | 51.18                          |  | 1300                           | mm                 |
| <b>Single Arm Strip</b>     | in           | 47.24                          |  | 1200                           | mm                 |
| <b>Traverse</b>             | in           | 78.74                          |  | 2000                           | mm                 |
| <b>Gripper Angle</b>        | °            | 90                             |  | 90                             | °                  |
| <b>Max Load</b>             | lbs          | 22.05                          |  | 10                             | kg                 |
| <b>Weight</b>               | lbs          | 1345                           |  | 610                            | kg                 |
| <b>Drive System</b>         | Drive        | AC Servo Motor                 |  | AC Servo Motor                 | Drive              |
| <b>Working Air Pressure</b> | psi          | 71.12 ~ 113.82                 |  | 5 ~ 8                          | kg/cm <sup>2</sup> |
| <b>Air Consumption</b>      | Fluid oz     | 33.81                          |  | 1                              | NI/cycle           |
| <b>Max Current</b>          | Amps         | 12.1                           |  | 12.1                           | I                  |
| <b>Power Supply</b>         | Power Supply | 480VAC - 3 Phase - 60 Hz       |  | 480VAC - 3 Phase - 60 Hz       | Power Supply       |



# MaxBW08-Series

Full Servo Robot  
IMM RANGE 320 – 650 Ton



| MaxBW08-1300P | Standard (in) | Metric (mm) |
|---------------|---------------|-------------|
| A             | 63.78         | 1620        |
| B             | 13.78         | 350         |
| C             | 133.27        | 3385        |
| D             | 9.45          | 240         |
| E             | 51.18         | 1300        |
| G             | 78.74         | 2000        |
| H             | 68.31         | 1735        |
| I             | 19.09         | 485         |
| K             | 47.24         | 1200        |
| M             | 8.66          | 220         |
| N             | 9.84          | 250         |

Specifications subject to change due to technical advances