



MaxBW10-Series

Full Servo Robot
IMM RANGE 500 – 800 Ton

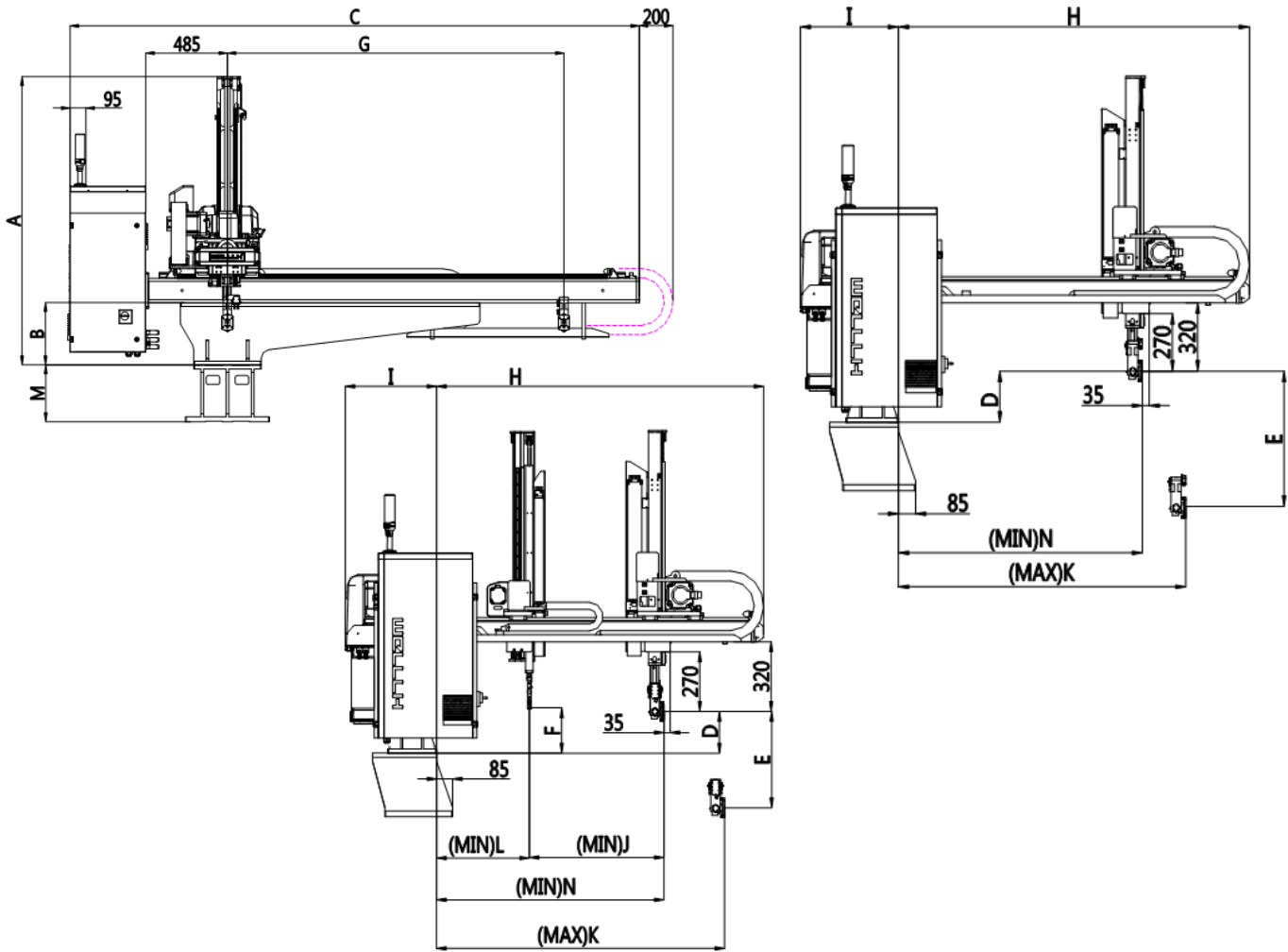


MaxBW10-1500P	Standard		Metric	
Movement	Drive Type	Servo Telescoping Vertical Arm	Servo Telescoping Vertical Arm	Drive Type
IMM Range	US Tons	500 - 800	4448 - 7117	kN
Vertical Stroke	in	59.06	1500	mm
Single Arm Strip	in	55.12	1400	mm
Traverse	in	98.43	2500	mm
Gripper Angle	°	90	90	°
Max Load	lbs	22.05	10	kg
Weight	lbs	1786	810	kg
Drive System	Drive	AC Servo Motor	AC Servo Motor	Drive
Working Air Pressure	psi	71.12 ~ 113.83	5 ~ 8	kg/cm ²
Air Consumption	Fluid oz	148.78	4.4	NI/cycle
Max Current	Amps	12.1	12.1	I
Power Supply	Power Supply	480VAC - 3 Phase - 60 Hz	480VAC - 3 Phase - 60 Hz	Power Supply



MaxBW10-Series

Full Servo Robot
IMM RANGE 500 – 800 Ton



MaxBW10-1500P	Standard (in)	Metric (mm)
A	67.72	1720
B	13.78	350
C	152.95	3885
D	9.45	240
E	59.06	1500
G	98.43	2500
H	68.31	1735
I	19.09	485
K	55.12	1400
M	8.66	220
N	9.84	250

Specifications subject to change due to technical advances