

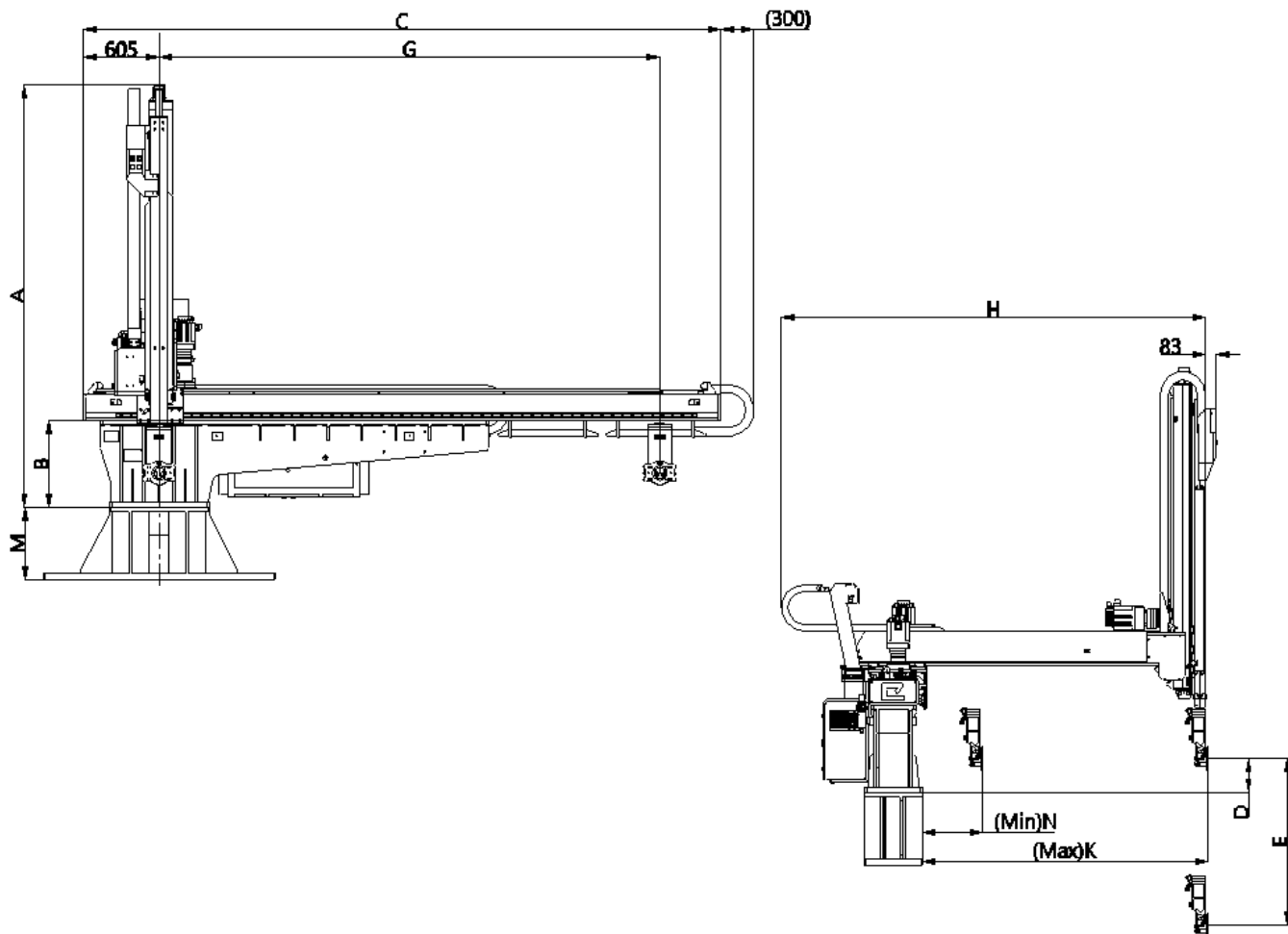


MaxCW35-Series

Full Servo Robot
IMM RANGE 2100 – 2800 Ton



MaxCW35-3000P	Standard		Metric	
Movement	Drive Type	Servo Telescoping Vertical Arm	Servo Telescoping Vertical Arm	Drive Type
IMM Range	US Tons	2100 - 2800	18683 - 24910	kN
Vertical Stroke	in	118.11	3000	mm
Single Arm Strip	in	89.76	2280	mm
Traverse	in	157.48	4000	mm
Gripper Angle	°	90	90	°
Max Load	lbs	77.16	35	kg
Weight	lbs	4718	2140	kg
Drive System	Drive	AC Servo Motor	AC Servo Motor	Drive
Working Air Pressure	psi	71.12 ~ 113.91	5 ~ 8	kg/cm ²
Air Consumption	Fluid oz	2.705E-07	8	NI/cycle
Max Current	Amps	15.5	15.5	I
Power Supply	Power Supply	480VAC - 3 Phase - 60 Hz	480VAC - 3 Phase - 60 Hz	Power Supply



MaxCW35-3000P	Standard (in)	Metric (mm)
A	124.8	3170
B	25.59	650
C	200.39	5090
D	10.04	255
E	118.11	3000
G	157.48	4000
H	132.48	3365
K	89.76	2280
N	18.9	480
M	Custom	Custom

Specifications subject to change due to technical advances