



MaxCW15-Series

Full Servo Robot
IMM RANGE 850 – 1300 Ton

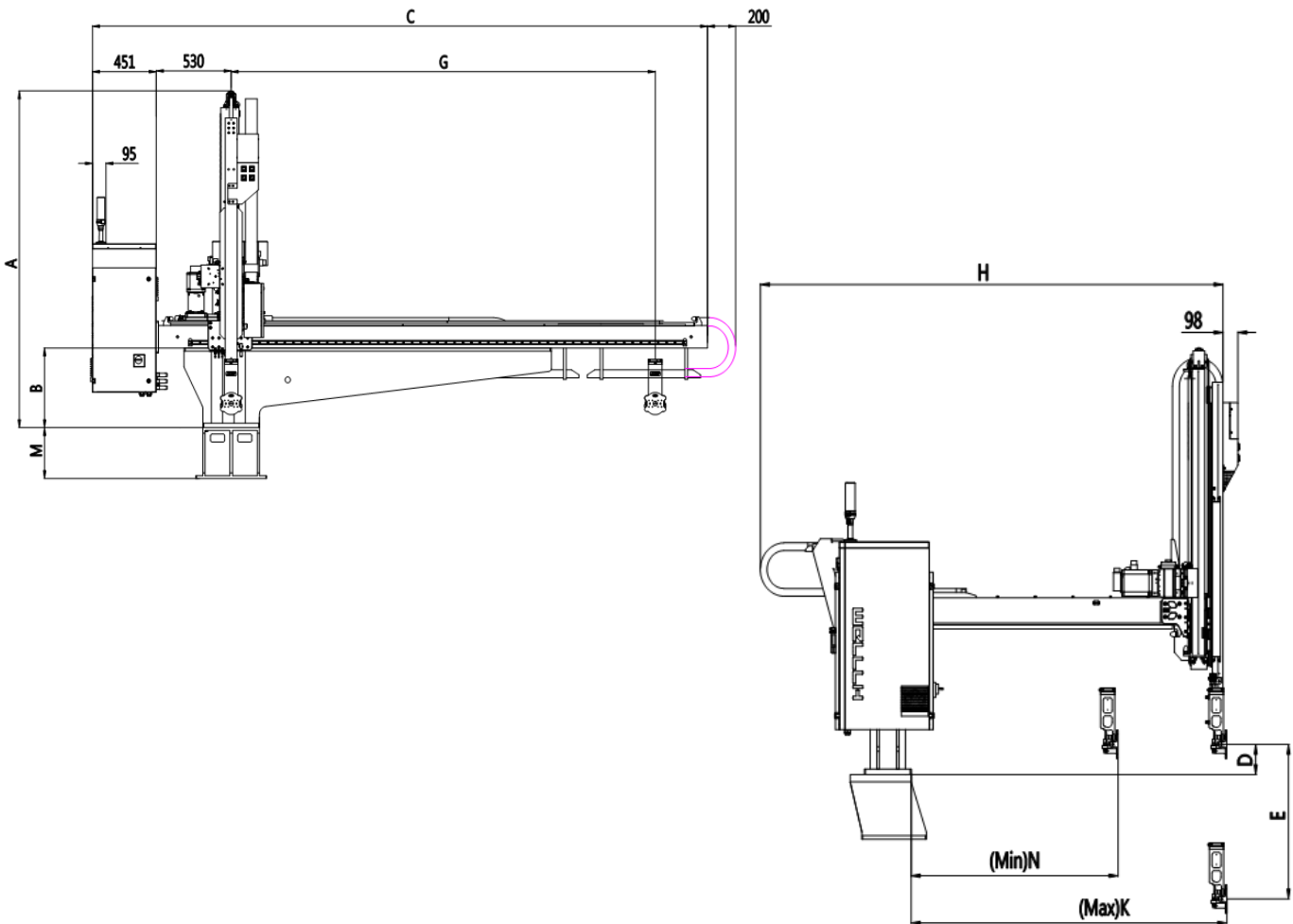


MaxCW15-2000P	Standard		Metric	
Movement	Drive Type	Servo Telescoping Vertical Arm	Servo Telescoping Vertical Arm	Drive Type
IMM Range	US Tons	850 - 1300	7562 - 11565	kN
Vertical Stroke	in	78.74	2000	mm
Single Arm Strip	in	70.47	1790	mm
Traverse	in	118.11	3000	mm
Gripper Angle	°	90	90	°
Max Load	lbs	39.68	18	kg
Weight	lbs	2205	1000	kg
Drive System	Drive	AC Servo Motor	AC Servo Motor	Drive
Working Air Pressure	psi	71.12 ~ 113.89	5 ~ 8	kg/cm ²
Air Consumption	Fluid oz	67.63	2	NI/cycle
Max Current	Amps	12.1	12.1	I
Power Supply	Power Supply	480VAC - 3 Phase - 60 Hz	480VAC - 3 Phase - 60 Hz	Power Supply



MaxCW15-Series

Full Servo Robot
IMM RANGE 850 – 1300 Ton



MaxCW15-2000P	Standard (in)	Metric (mm)
A	87.2	2215
B	19.69	500
C	174.8	4440
D	8.07	205
E	78.74	2000
G	118.11	3000
H	102.36	2600
K	70.47	1790
N	15.35	390
M	Custom	Custom

Specifications subject to change due to technical advances